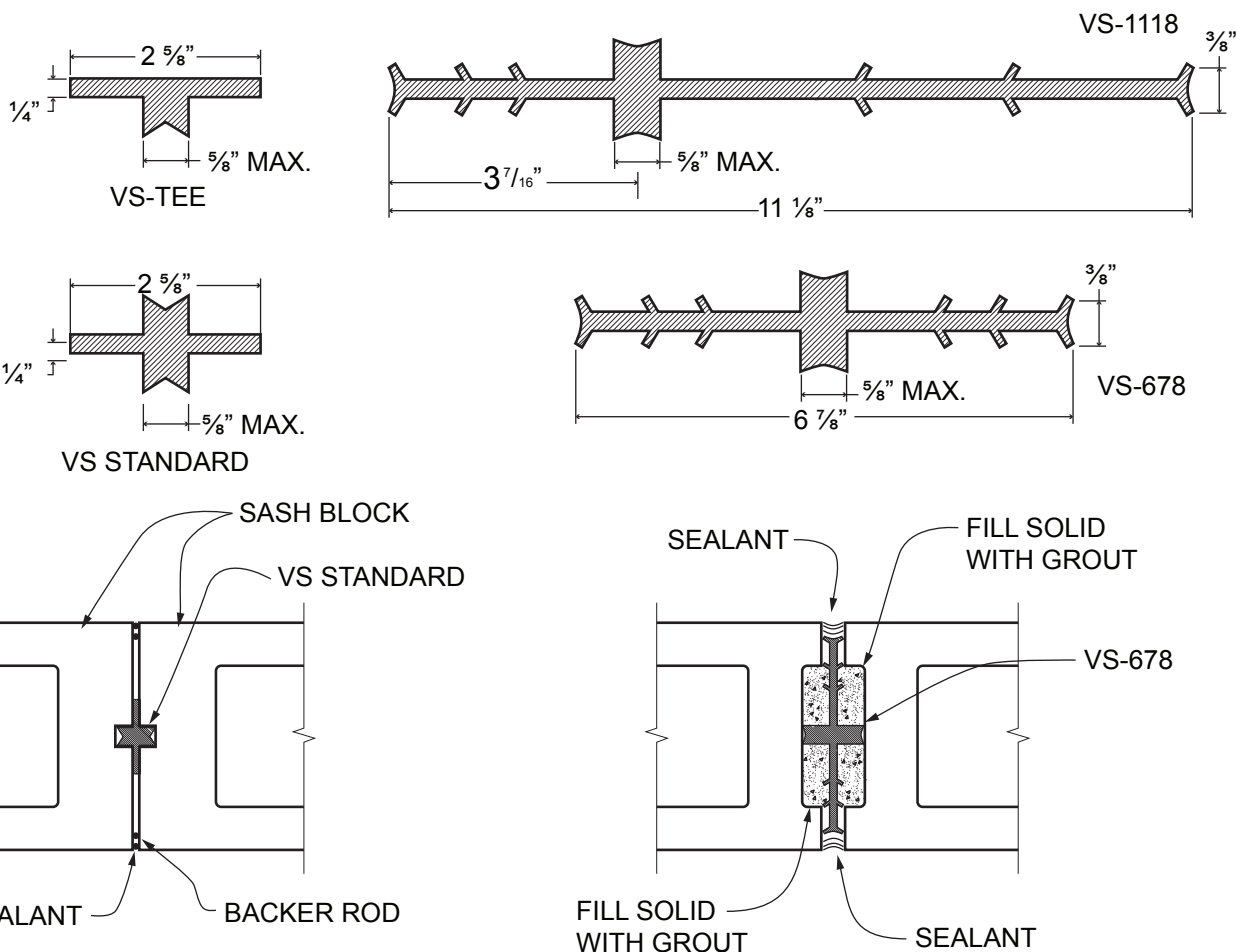




HOHMANN & BARNARD, INC.

Control Joints / Expansion Joints

VS Series - PVC Control Joint



DRAWINGS FOR ILLUSTRATIVE PURPOSES ONLY

Features:

- The VS Series is a complete line of polyvinyl chloride control joints suitable for various wall conditions. The PVC material conforms to ASTM D 2287 (Type PVC 654-4) with a durometer hardness of 85 (+ or - 5) when tested in conformance with ASTM D 2240.
- VS Series PVC control joints are manufactured from 50% recycled material.

TEST DATA

	<u>Typical Values</u>	<u>Test Method</u>
Tensile Strength	2200	ASTM D-412
Ultimate Elongation	350	ASTM D-412
Shore A Hardness	85	ASTM D-2240
Low Temp Brittleness	-35	ASTM D-746

VS Series:

(Length per piece is 4 ft.)

- VS-STANDARD
- VS-TEE
- VS-678
- VS-1118

IMPORTANT: Since each construction project is unique, the appropriate selection and use of any product contained herein must be determined by competent architects, engineers and other appropriate professionals who are familiar with the specific requirements of the project in question. This drawing and/or data sheet is the confidential and proprietary information of Hohmann & Barnard, Inc. and is not to be reproduced, copied or disclosed, in whole or in part, without the prior written consent of H&B.

HOHMANN & BARNARD, INC.

T: 800-645-0616 | www.h-b.com

ALABAMA - ILLINOIS - MARYLAND
NEW YORK - PENNSYLVANIA - TEXAS
UTAH - CANADA

© 2013-2023